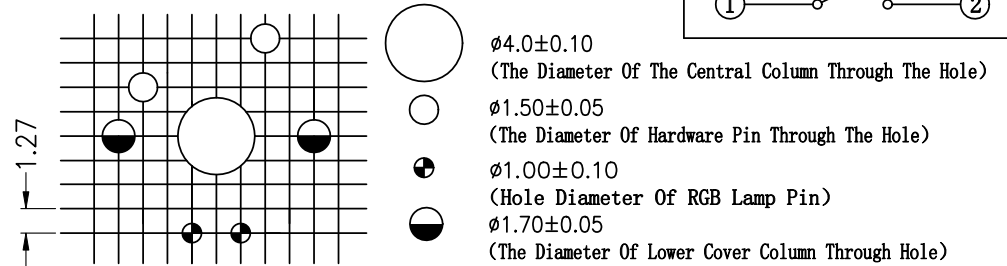
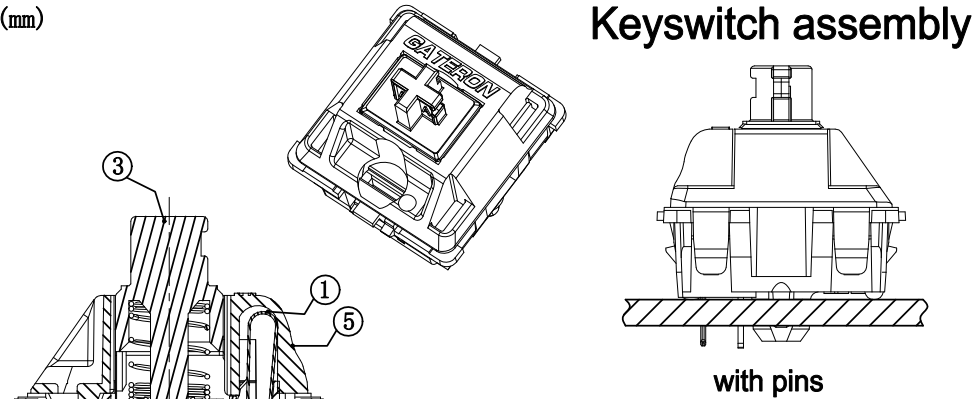
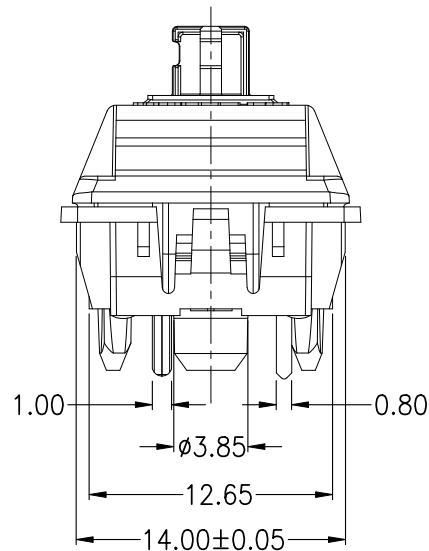
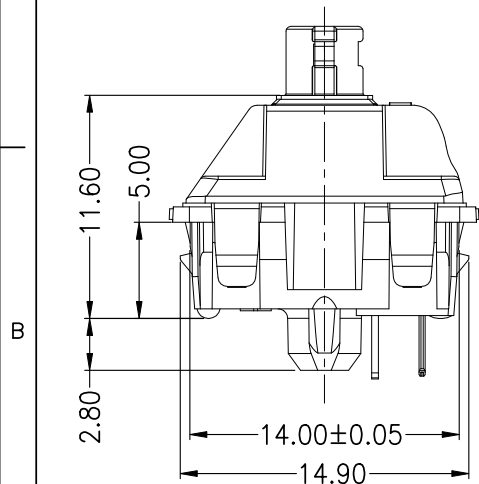
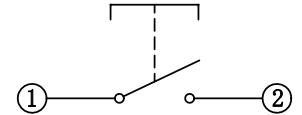


PCB安装孔



Circuit Diagram



⑦	Case	Thermoplastics (Dark Blue)
⑥	Contact	Au Alloy
⑤	Cover	Thermoplastics (Red)
④	Double-Section Spring	Stainless Steel
③	Keystroke	Thermoplastics (Light yellow)
②	Static Plate	Copper Alloy
①	Movable Plate	Copper Alloy
ITEM	Part Name	Material

Specification:

1. Rating: 12VAC/DC Max. 2VDC Min. 10mA AC/DC Max, 10µA DCMIn.
2. Contact Resistance: 200mΩ Max.
3. Insulation Resistance: 100MΩ Min(DC100V).
4. Withstand Voltage: AC100V(50~60Hz) for 1 minute.
5. Bounce Time: 5msec Max.(at 16 in/sec. actuation speed).
6. Operation Force: 59±15gf.
7. Pretravel: 2.0±0.5mm.
8. Total travel: 3.4mm Max.
9. Operation Life: 80,000,000 Cycles(min)

REV.	DATE	MODIFICATION							PRIOR VERSION
Title/Proj		KS-3 SERIES			Tolerance Unless Otherwise Specified				
Part No	KS-3Y10B059NW-D124	Version	1	~3	>3~10	>10~30	>30~80	>80~180	Angle
Drawing No	KS-3Y10B059NW-D124	Scale	5 : 2	±0.2	±0.3	±0.4	±0.6	±0.8	±3°
Drafted By	Deng Yuqin	Date	2023-06-16	Unit: mm	Size: A4	SHEET 1 OF 1			
Checked By	Wu Furong	Date	2023-06-16	THIRD ANGLE	 GATERON Electronic Technology Co.,Ltd				
Approved By	He Shiyong	Date	2023-06-16						